

Module 3: W750 x D300 x H300 mm



i) 9321397- With Wooden Shelf



ii) 9321423 - With Glass Shelf

PROFILE & CONNECTORS



A



B



C



D

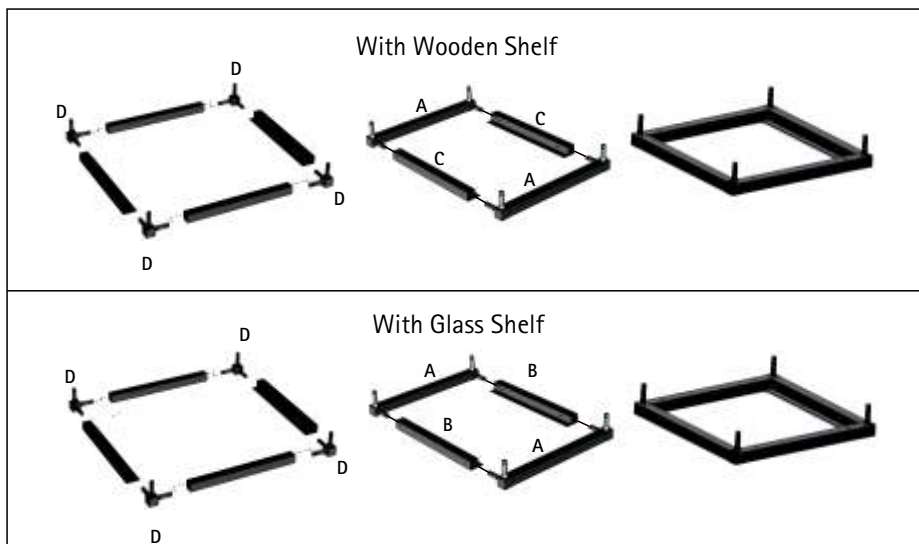


F

- A - Basic Profile
- B - Glass Profile
- C - Wood Profile
- D - 3 Way 3d Connector
- F - Wall mount set

STEP 1

Make top & bottom part of the cube by connecting cube profiles with connectors required as per design



## STEP 2

Insert screw at all position in diagonally opposite pattern

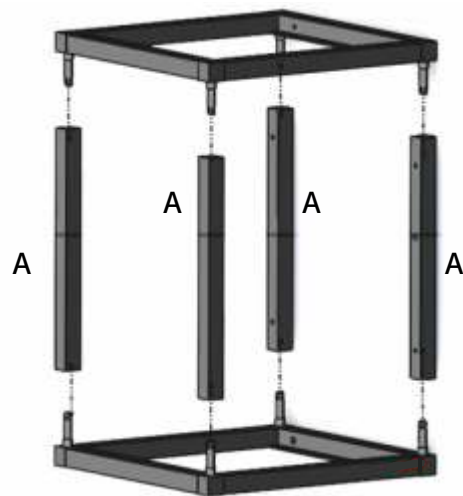
Note:

- ▶ Screw should be kept loose at this step
- ▶ Flatness should be maintained, it should not wobble.



## STEP 3

Insert vertical profile between  
Top and Bottom part

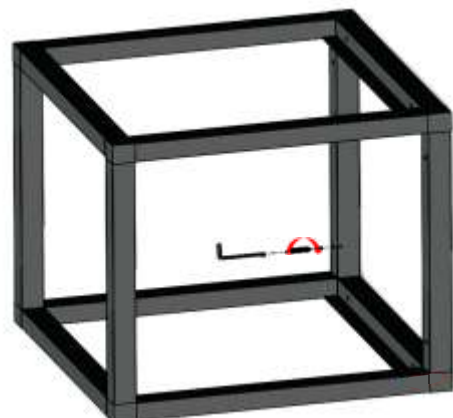


## STEP 4

Insert screw at all position & tight all the screw present  
in cube in diagonally opposite pattern and put the cover  
caps for concealing the screws.

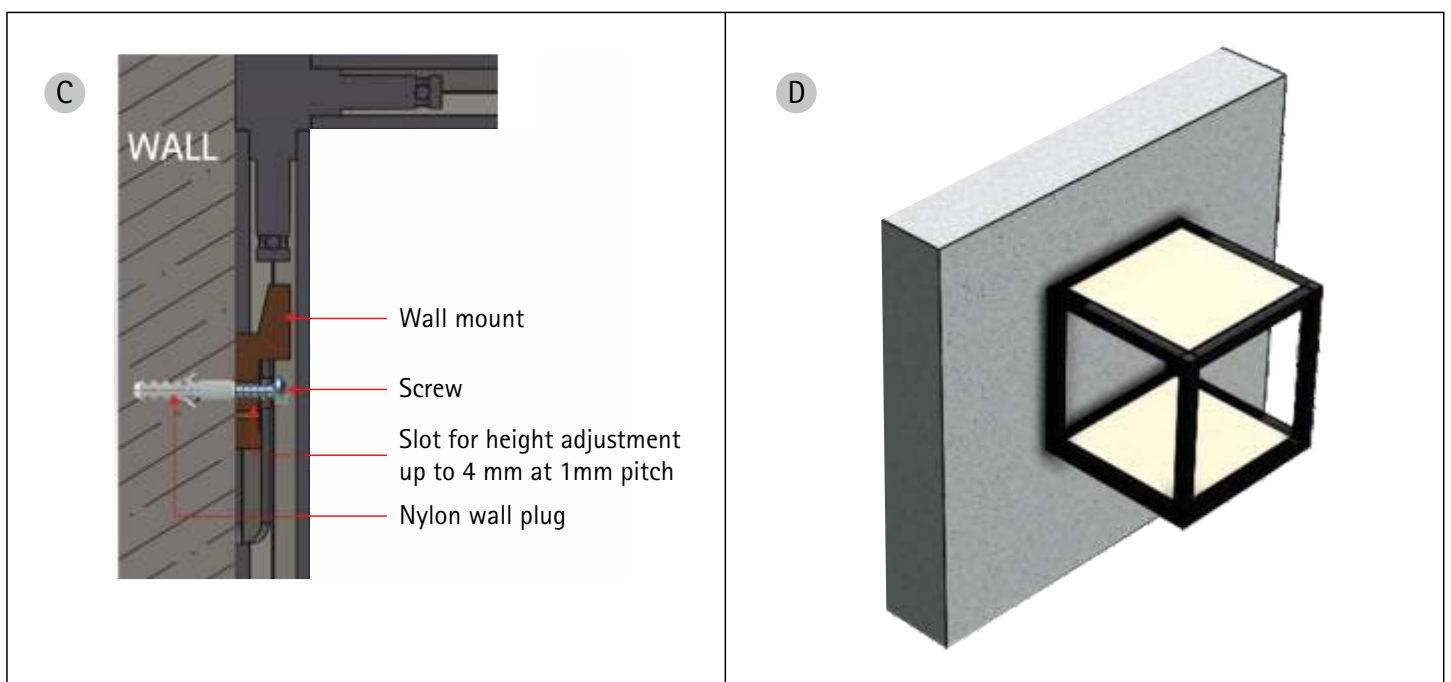
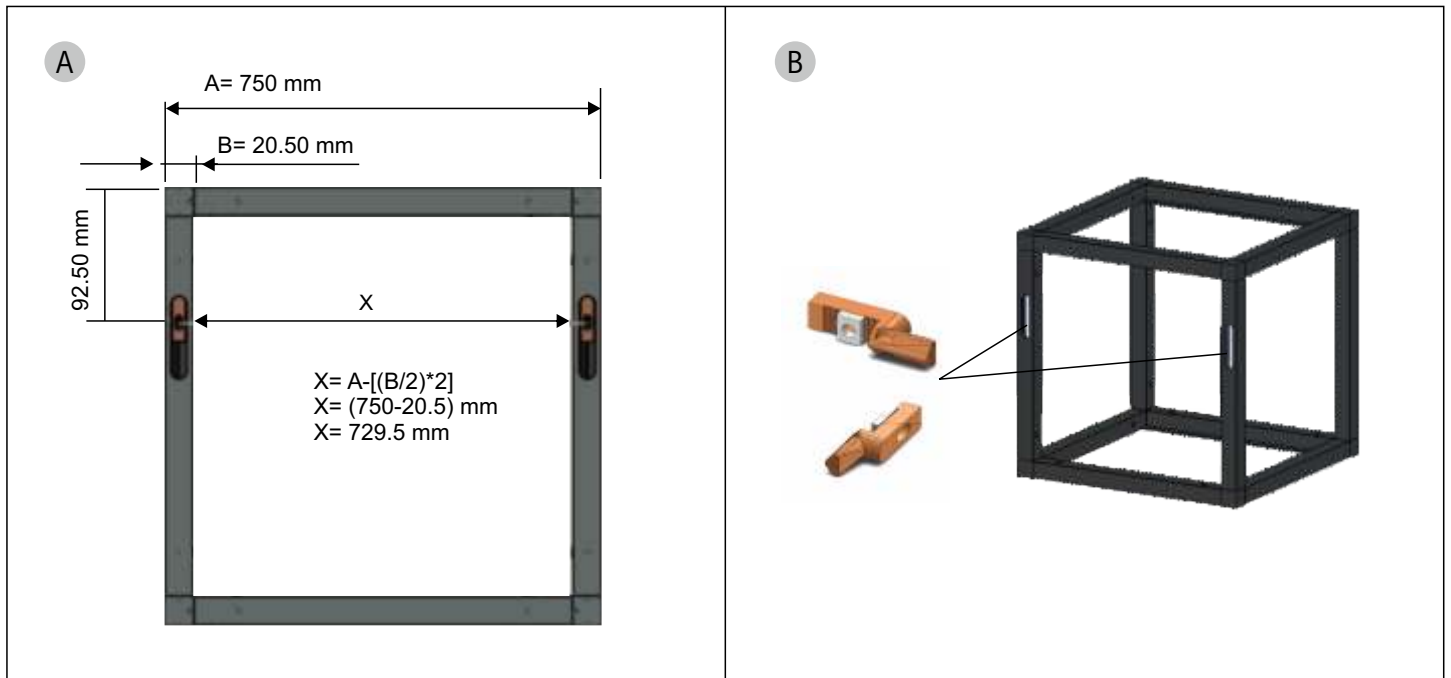
Note:

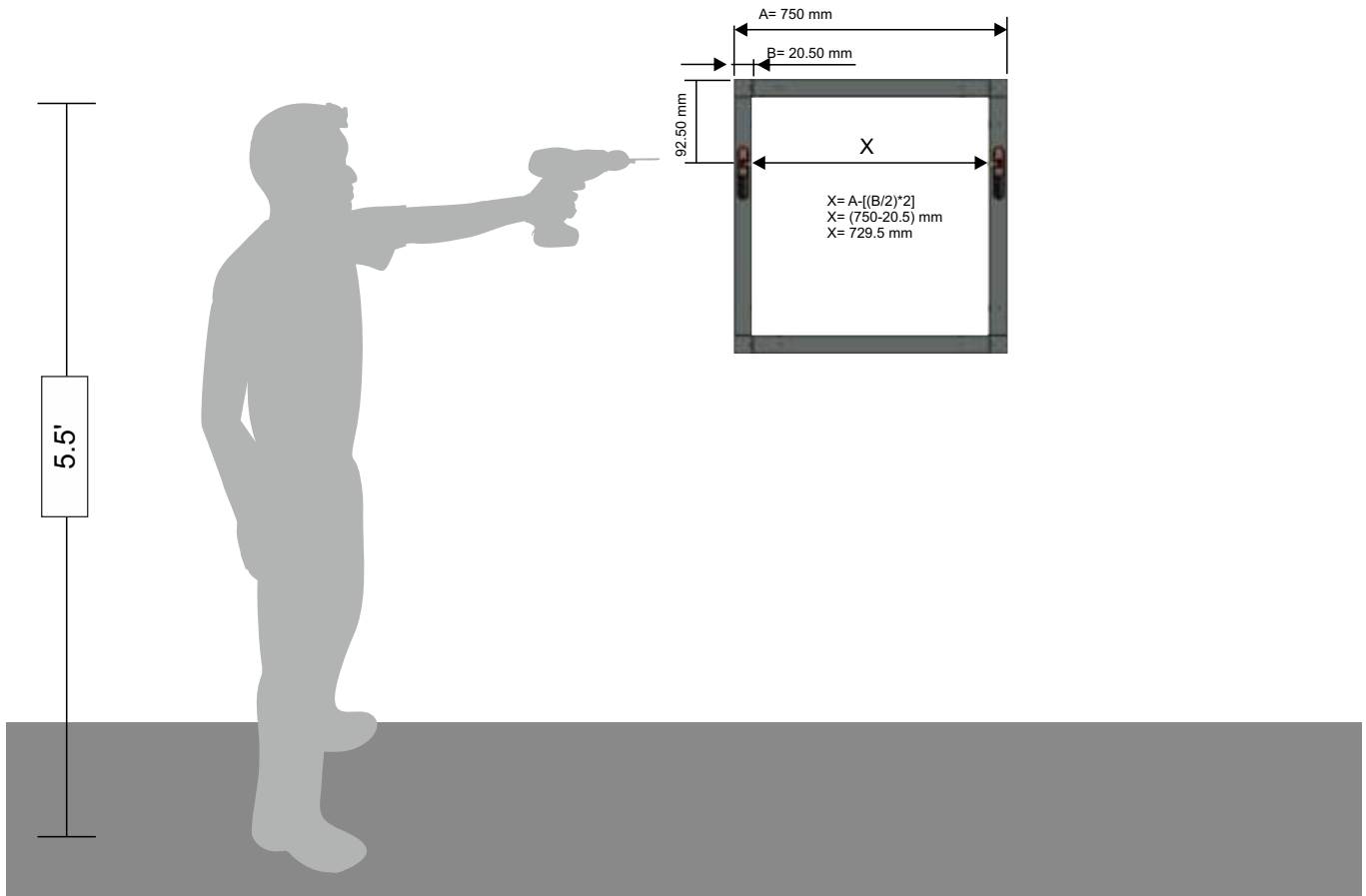
- ▶ Screw should not be over tightened
- ▶ Screw should be kept little loose to maintain  
flatness & should be fitted in diagonally opposite pattern
- ▶ Flatness should be maintained, it should not wobble



### STEP 5

- ▶ Drill on wall as per drilling dimension given
- ▶ Fix Wall Mounting Bracket using Wall screw & Plug
- ▶ Hang the structure on brackets & do height adjustment if required





## Maximum weight capacity

